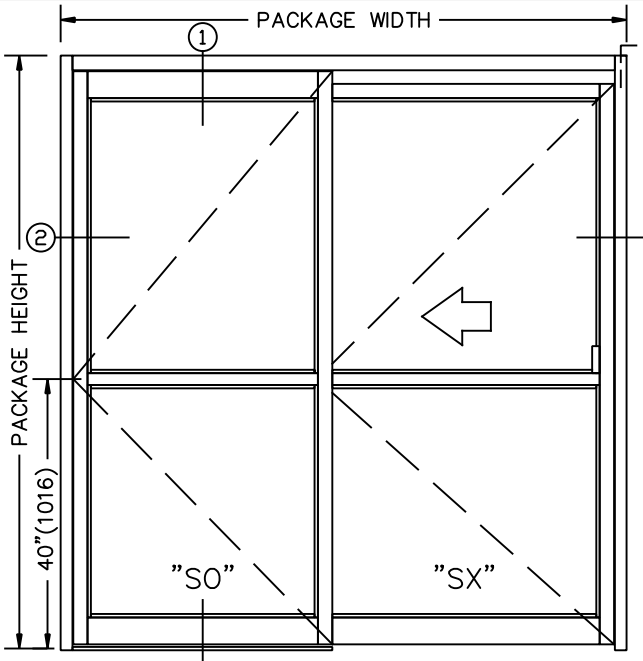


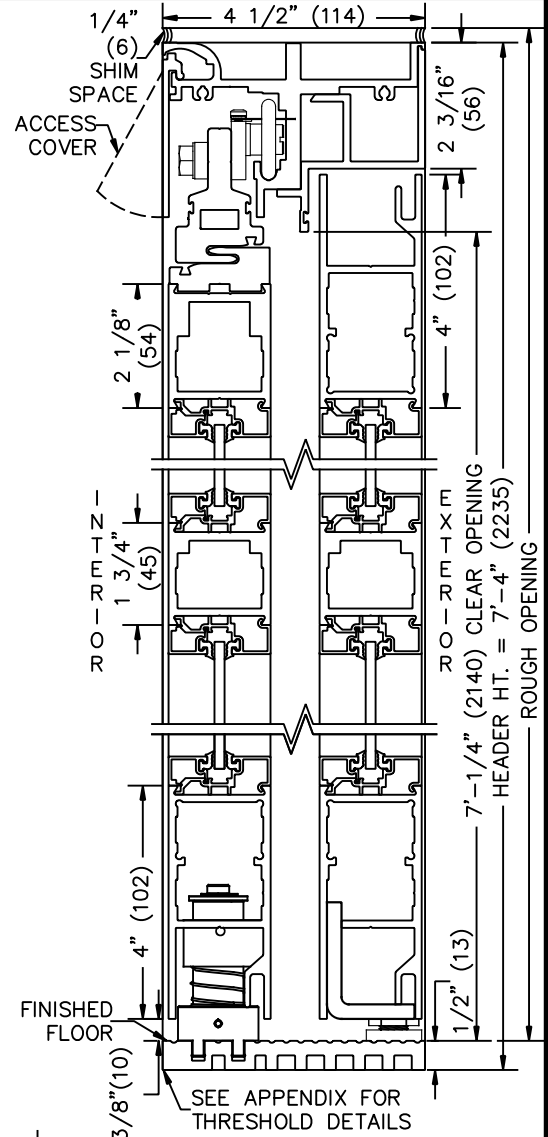
JOB NAME: \_\_\_\_\_ DATE: \_\_\_\_\_

DOOR LOCATION: \_\_\_\_\_ DOOR NO: \_\_\_\_\_ SHEET \_\_\_\_\_ OF \_\_\_\_\_

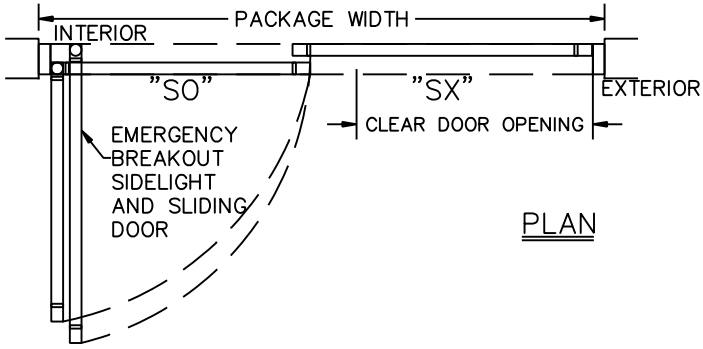


**ELEVATION**

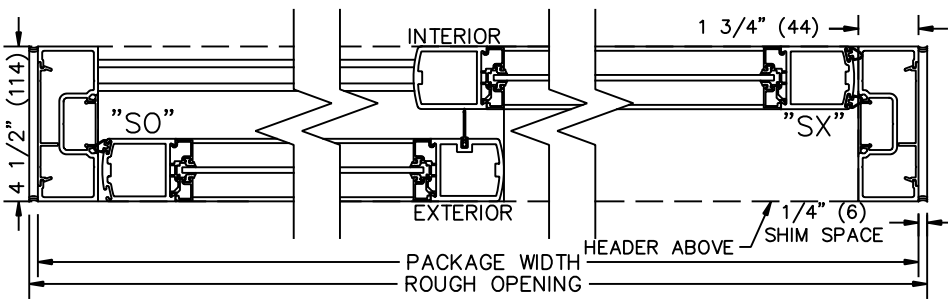
GROUNDING WIRE  
 BY ELECTRICAL  
 CONTRACTOR



**1 VERTICAL SECTION**



**PLAN**



**2 HORIZONTAL SECTION**

**SAMPLE PACKAGE WIDTH INFORMATION**

PKG. WIDTH	NOMINAL CLEAR DOOR OPENING	SX PANEL NOM. WIDTH	SO PANEL NOM. WIDTH	EMERGENCY BREAKOUT NOM. WIDTH
7'-0" (2134)	35" (889)	44 1/2" (1130)	38 1/2" (978)	76" (1930)
8'-0" (2438)	41" (1041)	50 1/2" (1283)	44 1/2" (1130)	88" (2235)
9'-0" (2743)	47" (1194)	56 1/2" (1435)	50 1/2" (1283)	100" (2540)

- NOTES:  
 1. DETAILS NOT TO SCALE.  
 2. DOOR PACKAGES ARE INDIVIDUALLY ENGINEERED TO FIT YOUR JOB REQUIREMENTS.