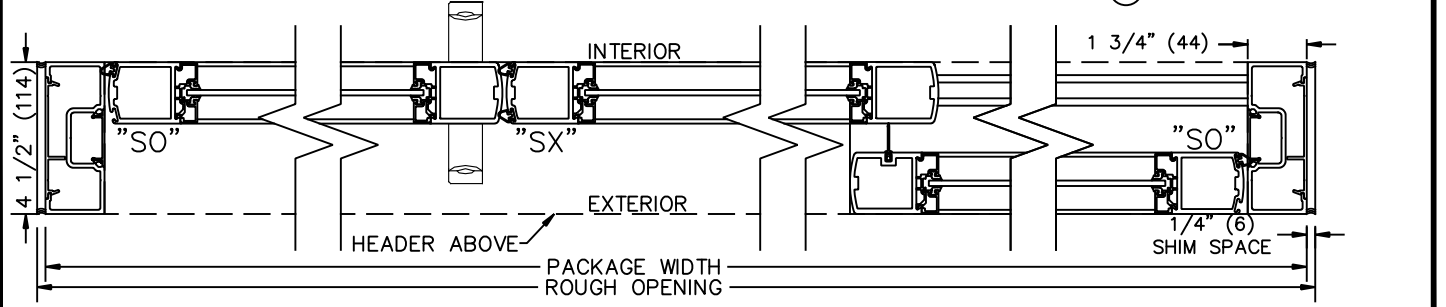
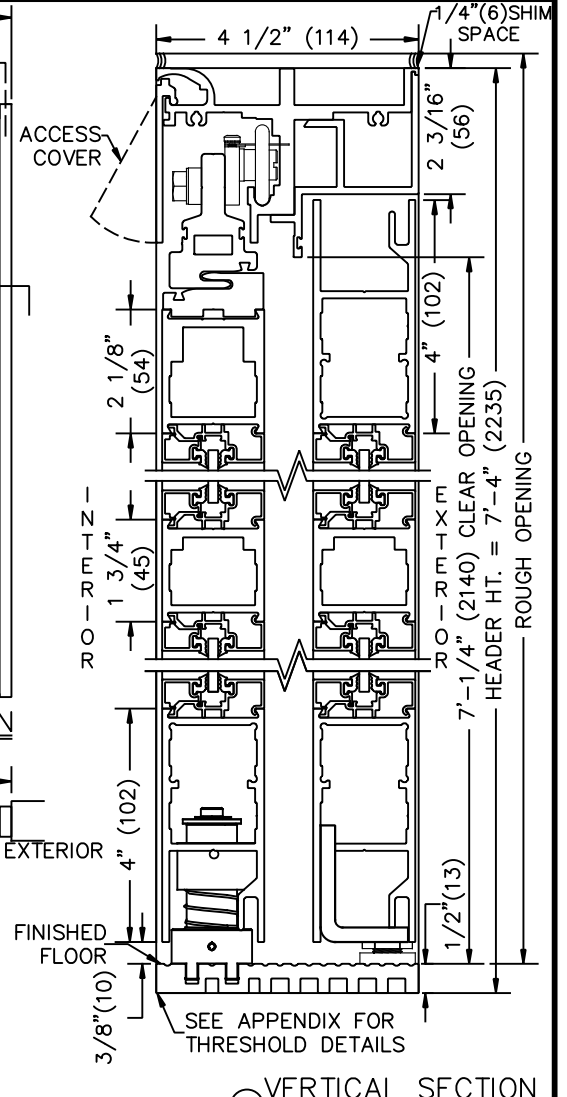
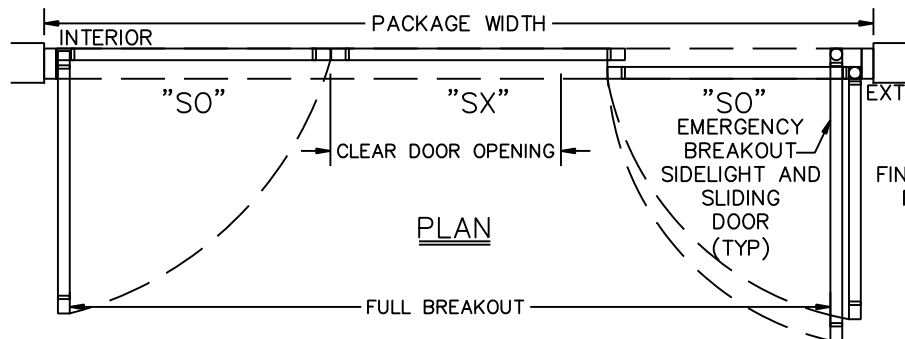
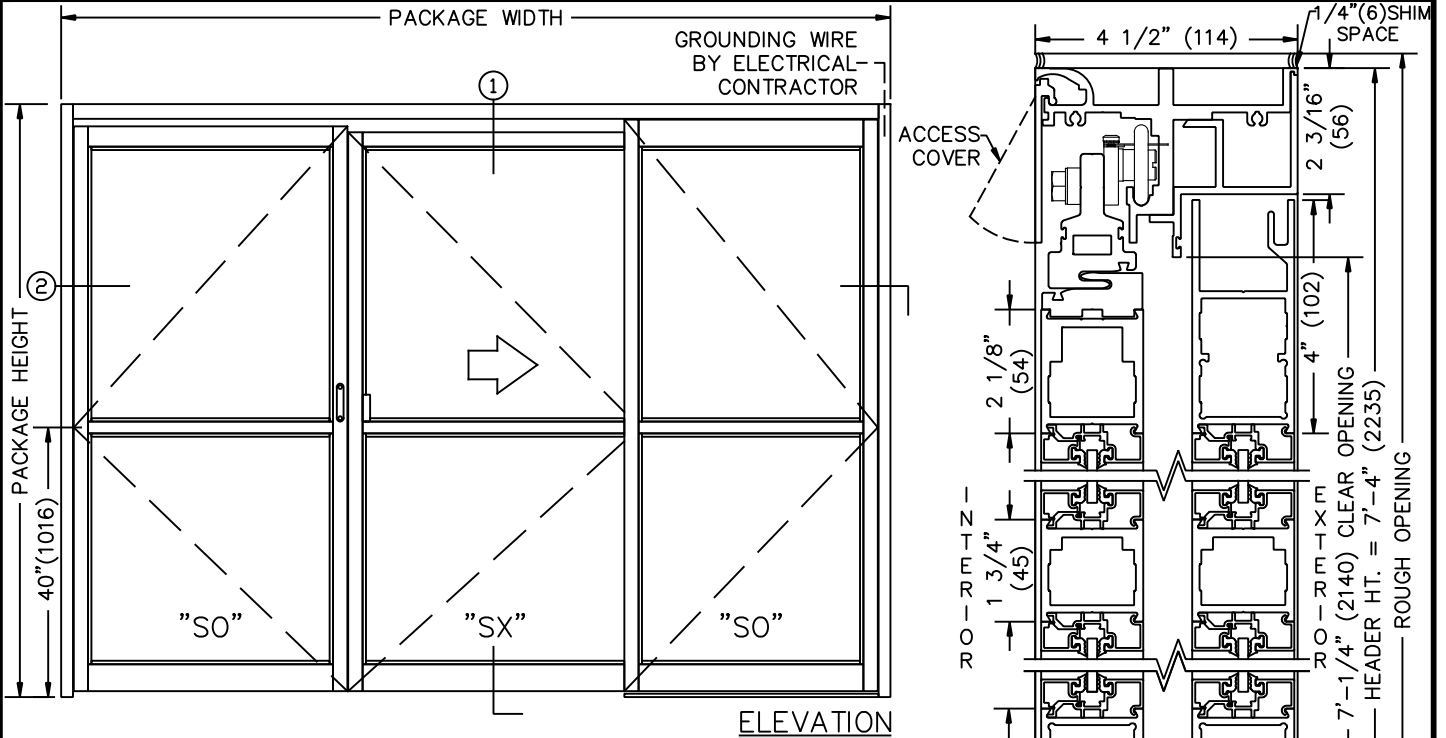


JOB NAME: _____ DATE: _____

DOOR LOCATION: _____ DOOR NO: _____ SHEET _____ OF _____



SAMPLE PACKAGE WIDTH INFORMATION

PKG. WIDTH	NOMINAL CLEAR DOOR OPENING	SX PANEL NOM. WIDTH	EQUAL SO PANEL NOM. WIDTH	FULL BREAKOUT NOM. WIDTH
10'-6" (3200)	36 1/4" (921)	45 1/2" (1156)	39 1/2" (1003)	115 3/4" (2940)
11'-6" (3505)	40 1/4" (1022)	49 1/2" (1257)	43 1/2" (1105)	127 3/4" (3245)
12'-6" (3810)	44 1/4" (1124)	53 1/2" (1359)	47 1/2" (1207)	139 3/4" (3550)

NOTES:
 1. DETAILS NOT TO SCALE.
 2. DOOR PACKAGES ARE INDIVIDUALLY ENGINEERED TO FIT YOUR JOB REQUIREMENTS.