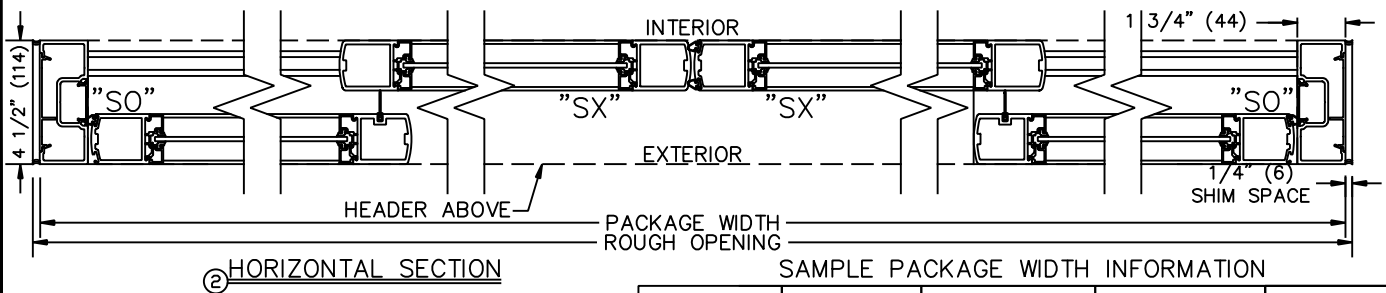
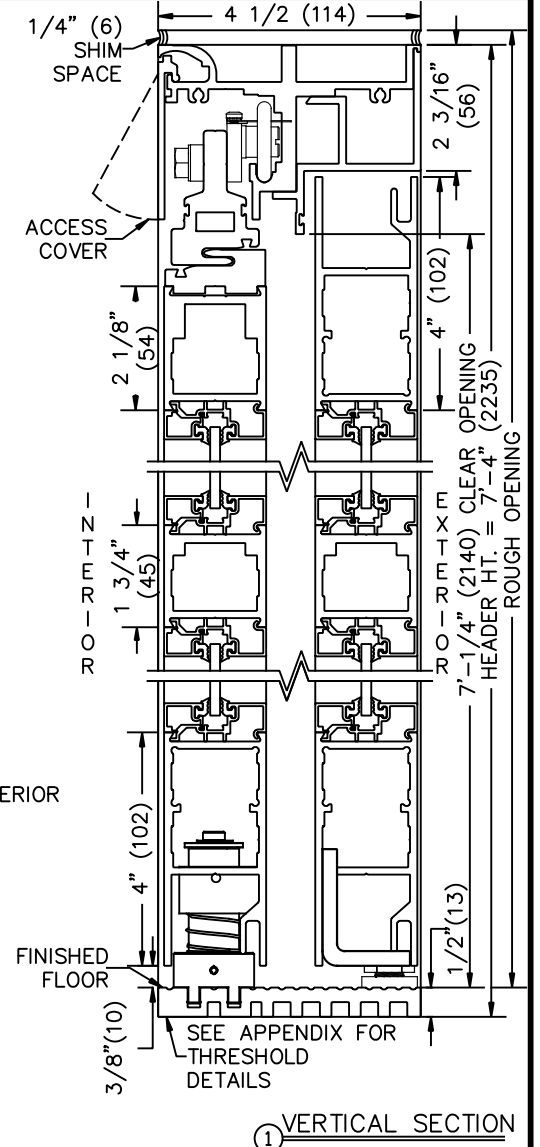
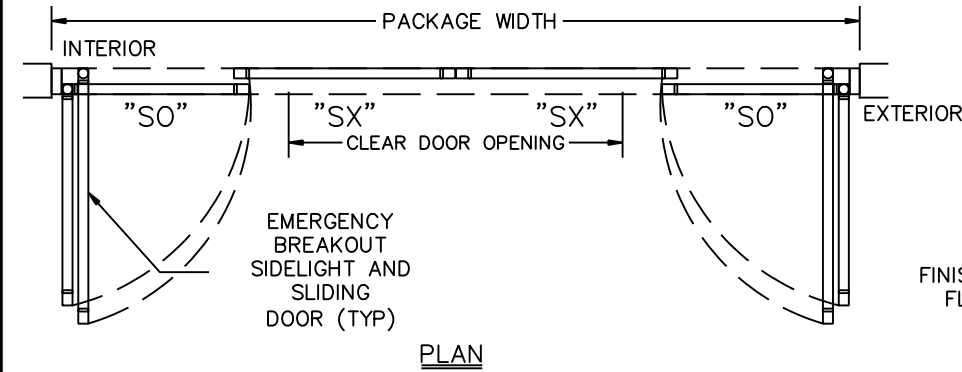
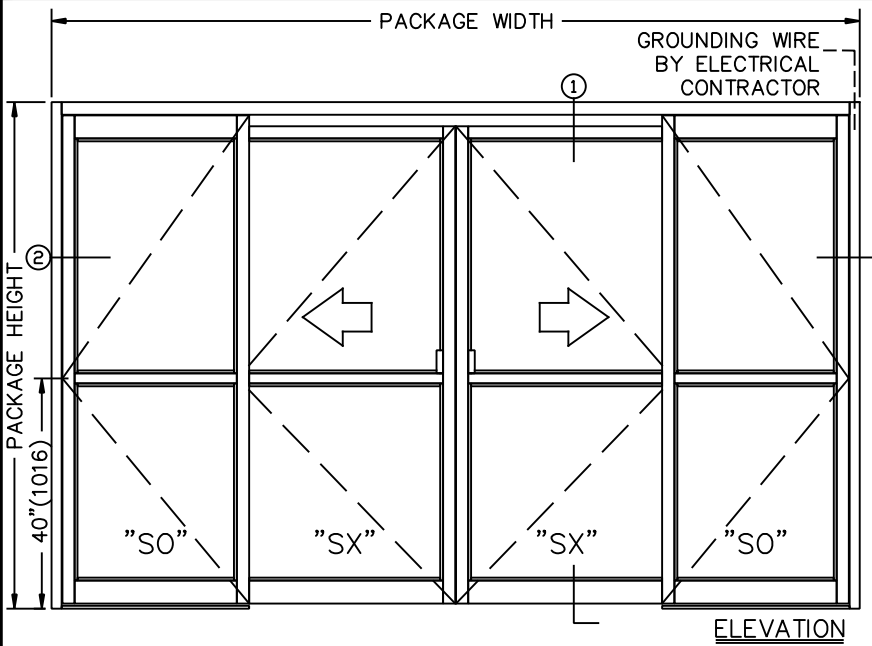


JOB NAME: _____ DATE: _____

DOOR LOCATION: _____ DOOR NO: _____ SHEET _____ OF _____



PKG. WIDTH	NOMINAL CLEAR DOOR OPENING	SX PANEL NOM. WIDTH	SO PANEL NOM. WIDTH	EMERGENCY BREAKOUT NOM. WIDTH
10'-0" (3048)	48" (1219)	33 3/8" (848)	27 3/8" (695)	107" (2718)
12'-0" (3658)	60" (1524)	39 3/8" (1000)	33 3/8" (848)	131" (3327)
14'-0" (4267)	72" (1829)	45 3/8" (1153)	39 3/8" (1000)	155" (3937)

NOTES:
 1. DETAILS NOT TO SCALE.
 2. DOOR PACKAGES ARE INDIVIDUALLY ENGINEERED TO FIT YOUR JOB REQUIREMENTS.