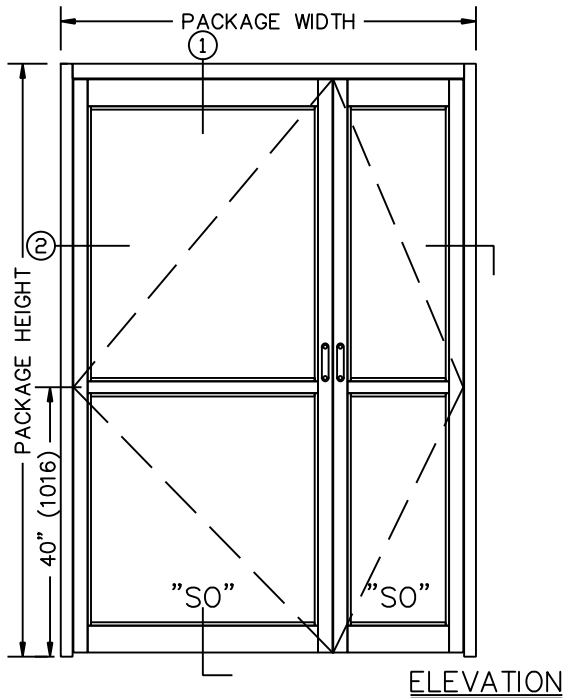
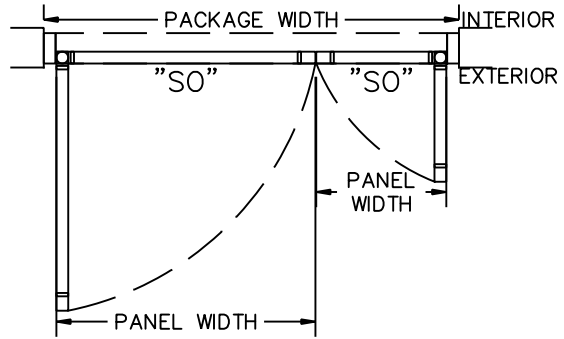


JOB NAME: _____ DATE: _____

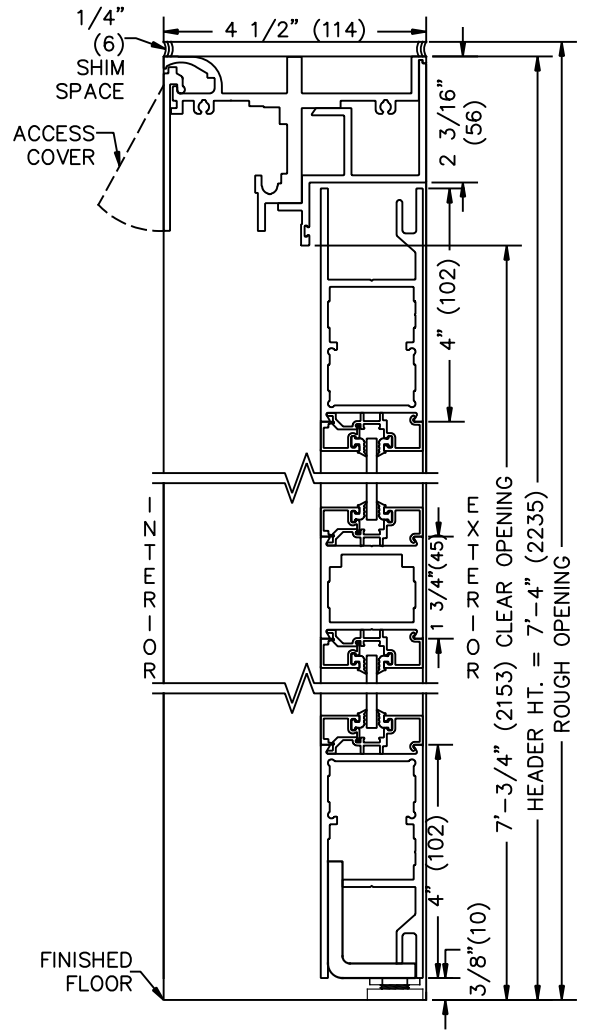
DOOR LOCATION: _____ DOOR NO: _____ SHEET ____ OF ____



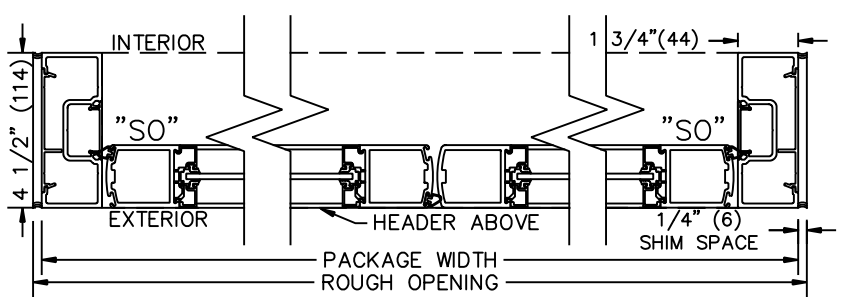
ELEVATION



PLAN



① VERTICAL SECTION



② HORIZONTAL SECTION

NOTES:
 1. DETAILS NOT TO SCALE.
 2. DOOR PACKAGES ARE INDIVIDUALLY ENGINEERED TO FIT YOUR JOB REQUIREMENTS.