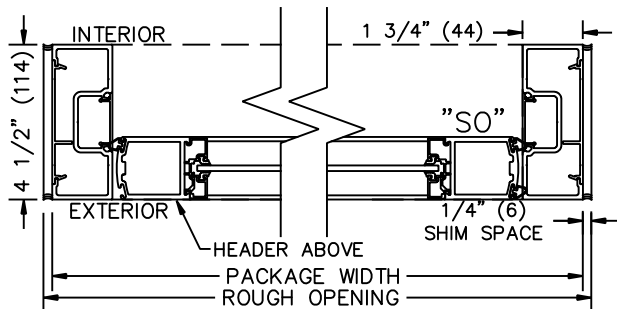
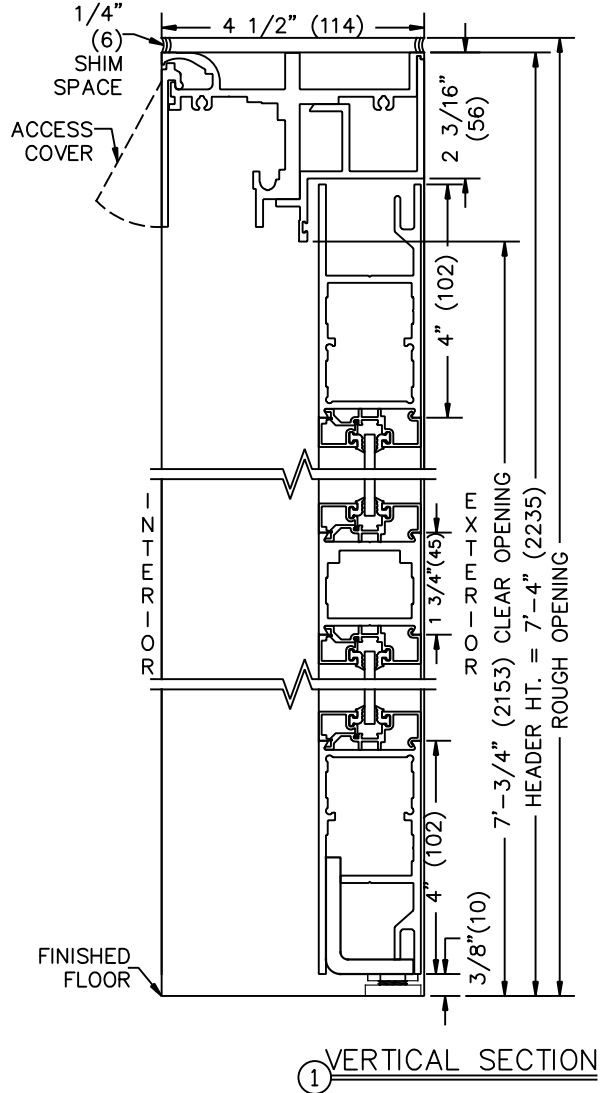
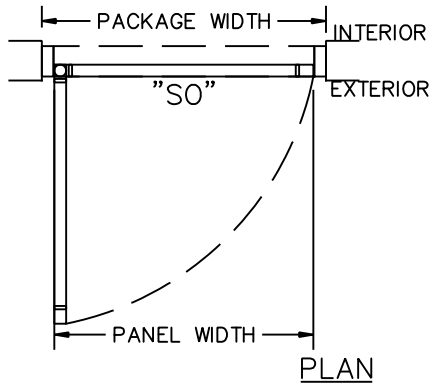
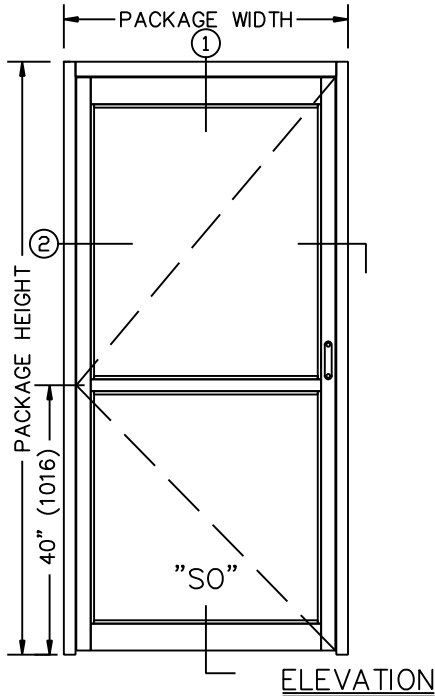


JOB NAME: _____ DATE: _____

DOOR LOCATION: _____ DOOR NO: _____ SHEET _____ OF _____



② HORIZONTAL SECTION

NOTES:

1. DETAILS NOT TO SCALE.
2. DOOR PACKAGES ARE INDIVIDUALLY ENGINEERED TO FIT YOUR JOB REQUIREMENTS.